

# ATAG

SERVING INDUSTRY SINCE 1947

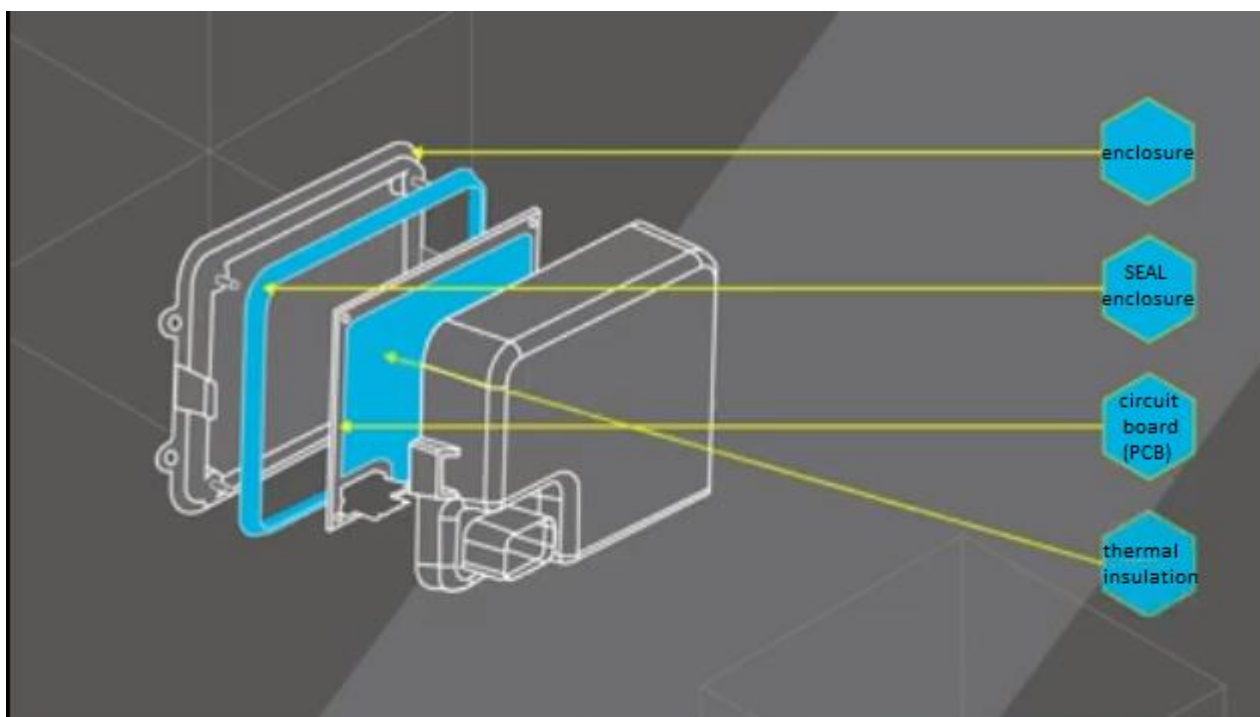
## SILICONE SOLUTIONS FOR LED LIGHTING SYSTEMS

Today's elastomer market presents an extensive range of rubbers available to lighting engineers, designers and buyers.

Silicone rubber, with its superb sealing properties, ability to withstand high temperatures and lightweight features makes it the material of choice for both indoor and outdoor LED lighting applications, as:

- Stadium lighting
- Street lighting
- Automotive lighting
- LCD display lighting
- General outdoor lighting





## Silicone solutions for LED lighting systems